

Index:	Page
<u>Complete - Busbar - Systems</u>	<u>1-7</u>
<u>SLB 125 Busbar Tool 3 in 1</u>	<u>8-9</u>
<u>HSBL-2 System Punching tools 120 & 160</u>	<u>10-12</u>
<u>HSBL-2 System Punching tool "DigiPunch" 160</u>	<u>12-13</u>
<u>HSBL-2 System Cutting tools 120 & 160</u>	<u>13</u>
<u>BGD-5 Bending Benches and Accessories</u>	<u>14</u>
<u>HA Hydraulic Power Packs and Accessories</u>	<u>14</u>
<u>HP „Dieless“ Crimping tools and Accessories</u>	<u>15</u>
<u>Punching Dies Sheet Metal</u>	<u>16</u>

Complete-Systems for Busbar-Fabrication

We offer you an attractive choice of complete systems for the range of busbar fabrication.

These "complete busbar systems" contain all necessary single components for cutting, punching and bending of busbars up to 120 x 13 mm or 160 x 13 mm, by using only one reference number per set.

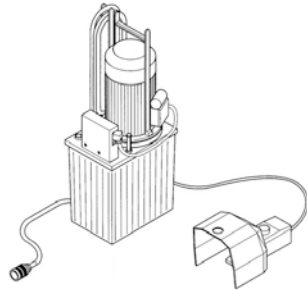
These complete systems are offered at very competitive net prices with no further discounts whatsoever. The complete and non changeable configurations of these systems are shown in detailed sketches on pages 2 – 4 of this price list

BUSBAR FABRICATION "COMPLETE-SYSTEMS"

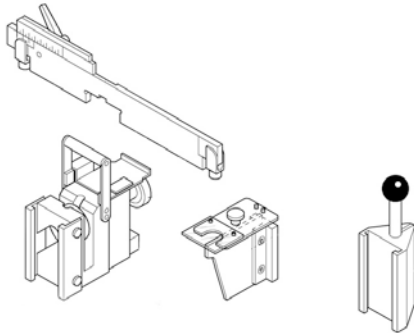
Ref.No.	Type	Description	Price/Euro
39659	SLB 125	SLB 125 Complete Set	12.780 €
39661	HSBL-2	HSBL-2 Starter System	7.980 €
41431	HSBL-2	HSBL-2 Basic System	24.980 €
42600	HSBL-2	HSBL-2 Standard System	29.280 €
40742	HSBL-2	HSBL-2 Professional System 1	37.580 €
41430	HSBL-2	HSBL-2 Professional System 2	56.980 €
40900	HSBL-2	"DigiPunch" 160 Complete System	14.880 €
40900-1	HSBL-2	"DigiPunch" 160 Complete System (incl. Length stop for cutting tool)	15.280 €

All prices are recommended retail prices (RRP) without our obligation, subject to VAT, if purchased and invoiced within the Federal Republic of Germany. Delivery ex-works, packing excluded. Design, specifications and prices of all products are subject to change at any time and without notification. This price list invalidates all previous price lists.

Ref. 39659 SLB 125 Complete System



Ref. 33340 Power Pack HA3



Ref. 31242 Cutting Tool

Ref. 31243 Bending Tool

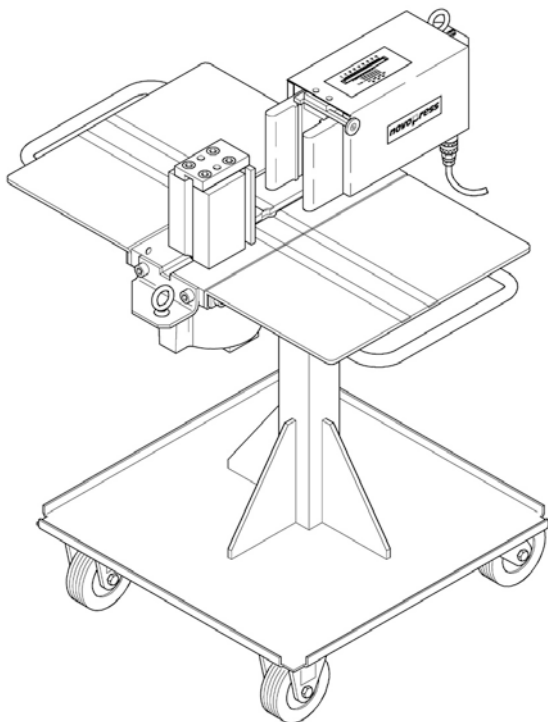
Ref. 30980 Punching Tool

Ref. 31890 Punching template adjustable

Ref. 31161090 Die set 9.0mm

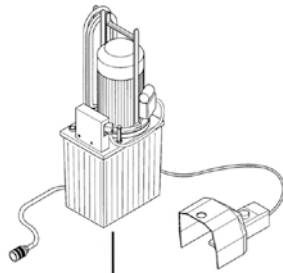
Ref. 31161110 Die set 11.0mm

Ref. 31161140 Die set 14.0mm

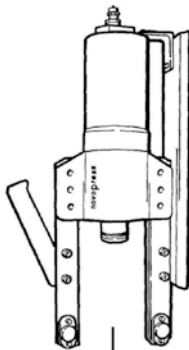


Ref. 40070 SLB 125 on trolley

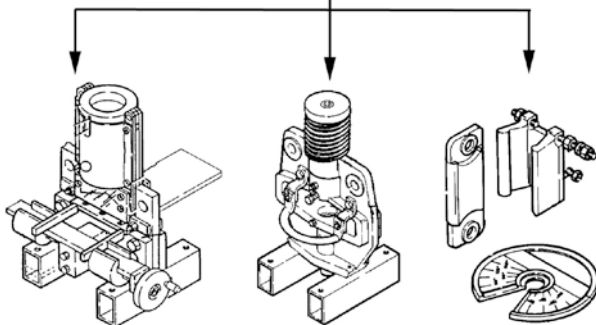
Ref. 39661 HSBL-2 Starter System



Ref. 32530 Power Pack HA3



Ref. 2420 HSBL-2 Work cylinder



Ref. 2350 Cutting Tool 120

Ref. 1118 Punching Tool 120

Ref. 200090 Die set 9.0mm

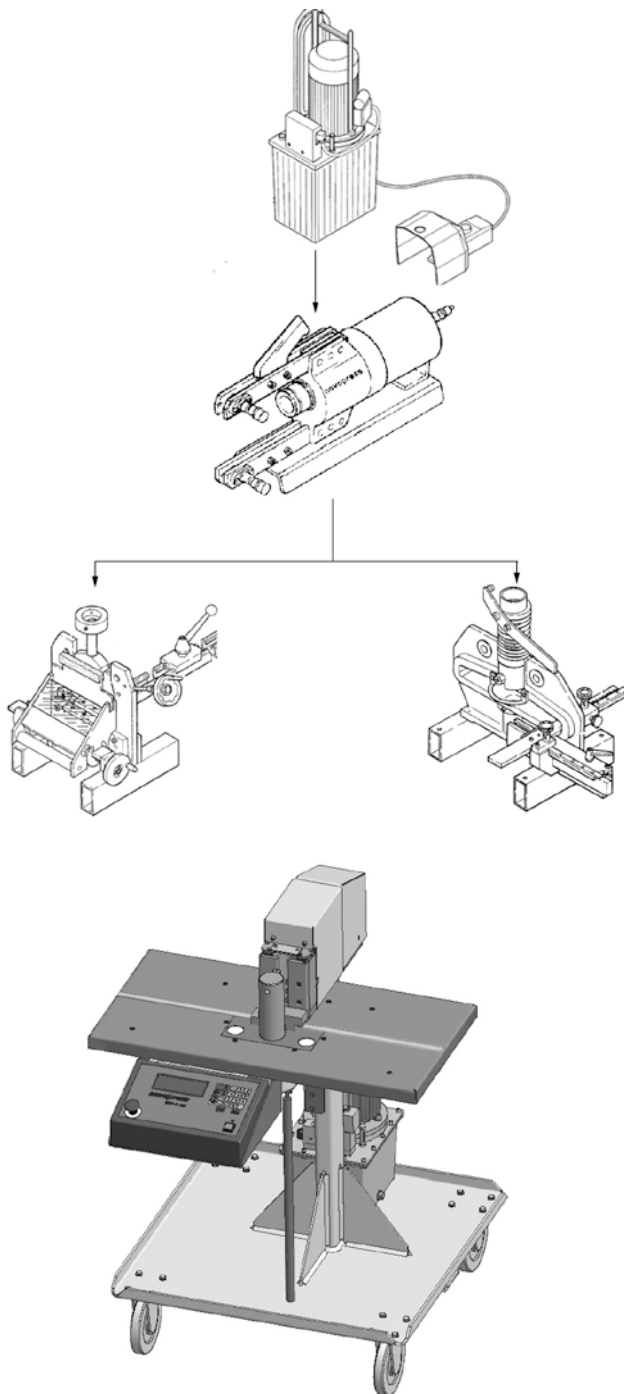
Ref. 200110 Die set 11.0mm

Ref. 200140 Die set 14.0mm

Ref. 1179 Bending Tool 120

Ref. 1627 Hydr. Stop for 1179

Ref. 41431 HSBL-2 Basic System



Ref. 32530 HA3 Power Pack

Ref. 2420 HSBL-2 Work cylinder

Ref. 7020 Cutting Tool 160

Ref. 7030 Centering Device to 7020

Ref. 6990 Stop Device 2000mm

Ref. 34243 Punching Tool 160 incl. X-Y Device

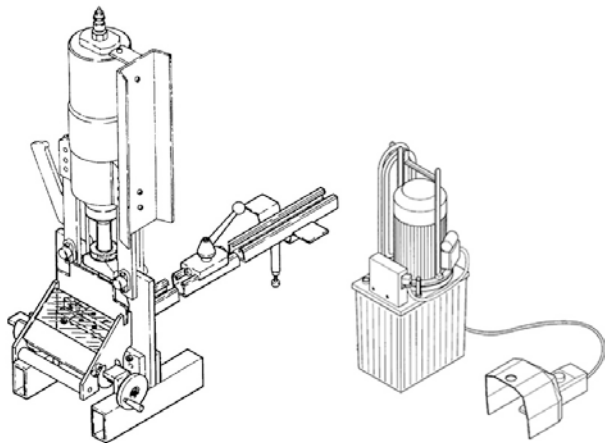
Ref. 200090 Die set 9.0mm

Ref. 200110 Die set 11.0mm

Ref. 200140 Die set 14.0mm

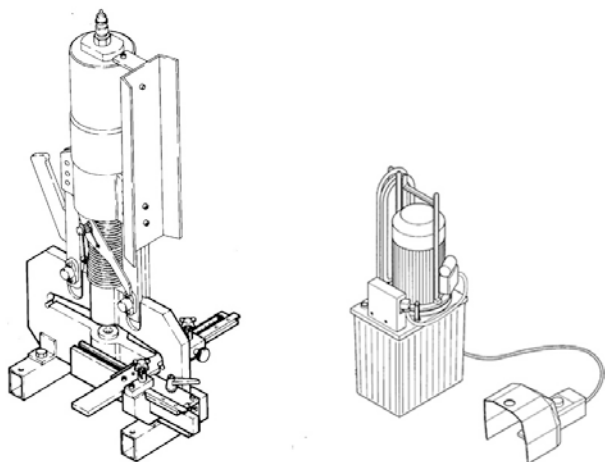
Ref. 42380 Bending bench BGD-5eco

Ref. 42600 HSBL-2 Standard System



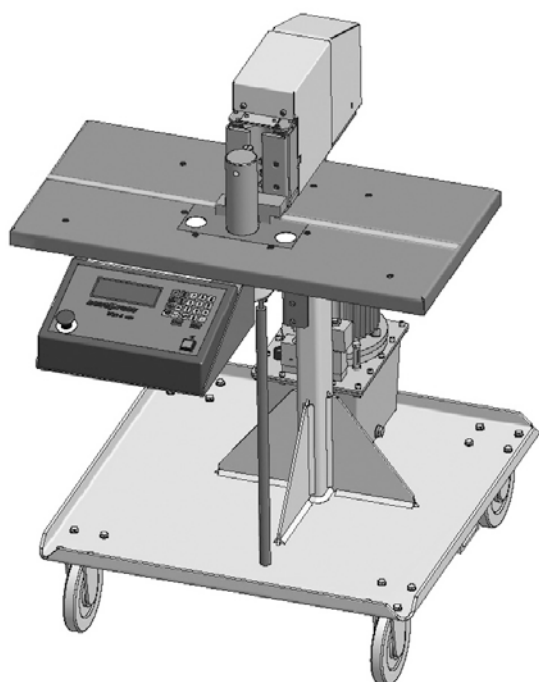
Cutting:

- Ref. 32530 Power Pack HA3
- Ref. 2420 HSBL-2 Work cylinder
- Ref. 7020 Cutting Tool 160
- Ref. 7030 Centering Device to 7020
- Ref. 6990 Stop Device 2000mm



Punching:

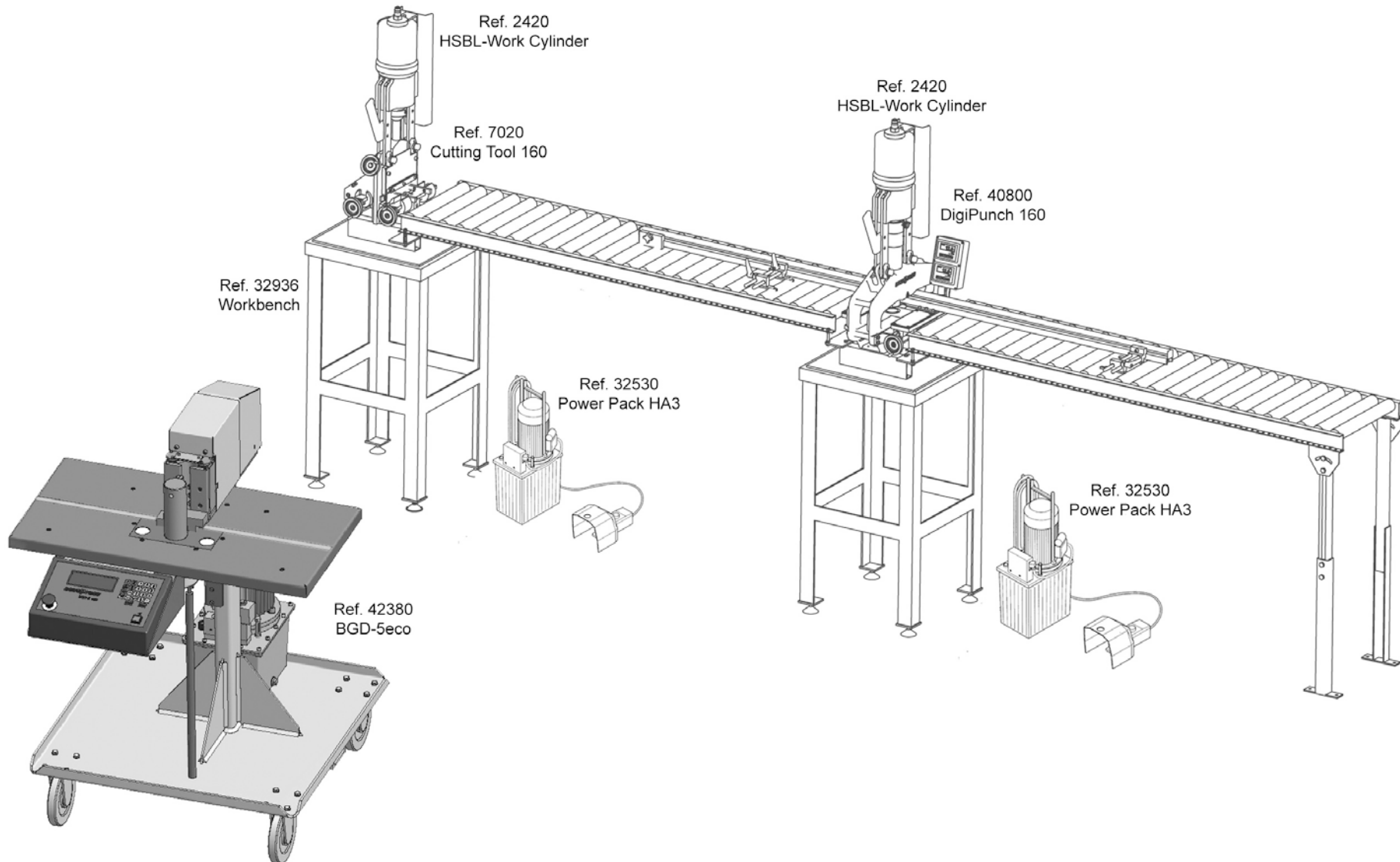
- Ref. 32530 Power Pack HA3
- Ref. 2420 HSBL-2 Work cylinder
- Ref. 34243 Punching Tool 160 incl. X-Y Device
- Ref. 200090 Die set 9.0mm
- Ref. 200110 Die set 11.0mm
- Ref. 200140 Die set 14.0mm



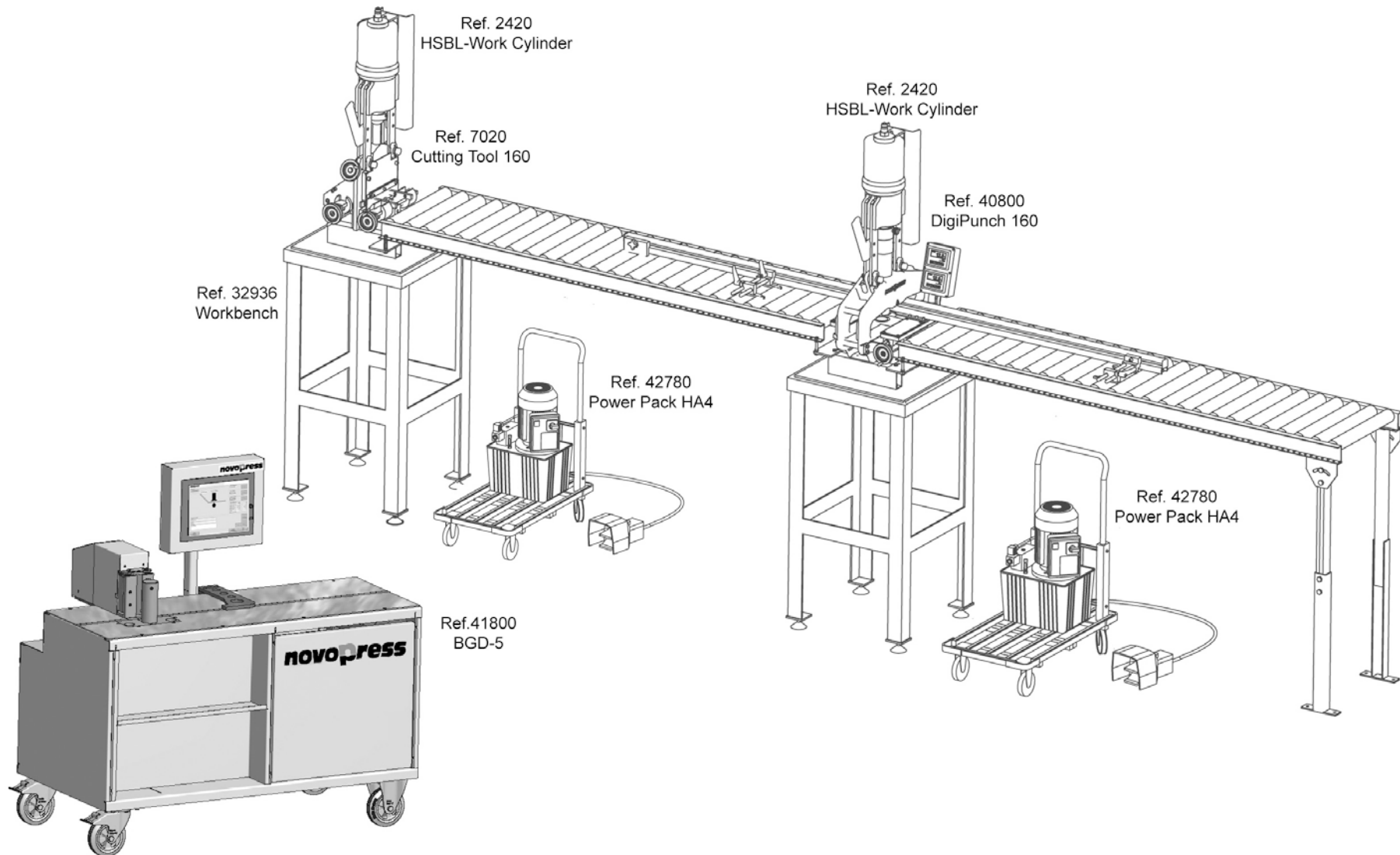
Bending:

- Ref. 42380 Bending bench BGD-5eco

Ref. 40742 HSBL-2 Professional System 1

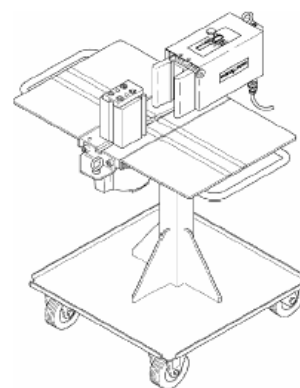
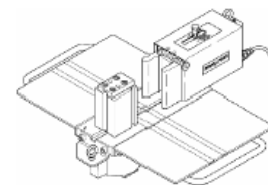


Ref. 41430 HSBL-2 Professional System 2



SLB 125 THREE IN ONE

Ref.No.	Type	Description	Price/Euro
40200	SLB 125	Basis unit table top	8.250 €
40070	SLB 125	Basic unit on trolley	9.390 €
31242	SLB 125	Cutting Tool	1.082 €
31243	SLB 125	Bending Tool	935 €
30980	SLB 125	Punching Tool	2.098 €
31425	SLB 125	Small Step Bender	1.698 €
31646	SLB 125	Large Step Bender	1.698 €
31636	SLB 125	Supplementary Bender for short legs	1.228 €
31138	SLB 125	Hole Template 40 / 80 mm	158 €
31156	SLB 125	Hole Template 50 / 100 mm	158 €
31184	SLB 125	Hole Template 60 / 120 mm	158 €
31890	SLB 125	Hole Template adjustable	360 €
42430	SLB 125	U - Bending Tool 60mm	1.660 €



ROUND PUNCHING DIES FOR SLB 125

Ref.No.	Type	Description	Price/Euro
31161066	SLB 125	6,6 mm	143 €
31161070	SLB 125	7,0 mm	143 €
31161090	SLB 125	9,0 mm	143 €
31161100	SLB 125	10,0 mm	143 €
31161110	SLB 125	11,0 mm	143 €
31161120	SLB 125	12,0 mm	143 €
31161140	SLB 125	14,0 mm	143 €
31161180	SLB 125	18,0 mm	173 €
31161210	SLB 125	21,0 mm	173 €

All prices are recommended retail prices (RRP) without our obligation, subject to VAT, if purchased and invoiced within the Federal Republic of Germany. Delivery ex-works, packing excluded. Design, specifications and prices of all products are subject to change at any time and without notification. This price list invalidates all previous price lists.

PUNCHING DIES FOR SLB 125 OBLONG

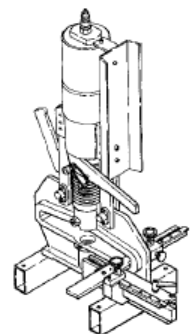
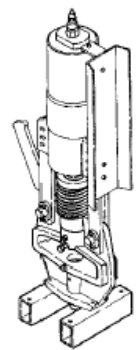
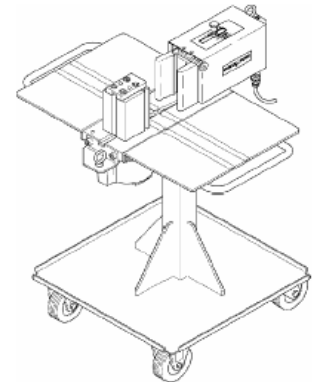
Ref.No.	Type	Description	Price/Euro
3117602	SLB 125	16 x 11 mm	412 €
3117601	SLB 125	21 x 14 mm	412 €

ROUND PUNCHING DIES FOR SLB 125 FOR LAMINATED COPPER

Ref.No.	Type	Description	Price/Euro
31801	SLB 125	6,6 mm (incl. stripper plate)	208 €
31802	SLB 125	9,0 mm (incl. stripper plate)	208 €
31803	SLB 125	11,0 mm (incl. stripper plate)	208 €
31805	SLB 125	14,0 mm (incl. stripper plate)	208 €
31911066	SLB 125	Stripper plate 6,6 mm	54 €
31911090	SLB 125	Stripper plate 9,0 mm	54 €
31911110	SLB 125	Stripper plate 11,0 mm	54 €
31911140	SLB 125	Stripper plate 14,0 mm	54 €

HSBL-2 SYSTEM PUNCHING TOOLS

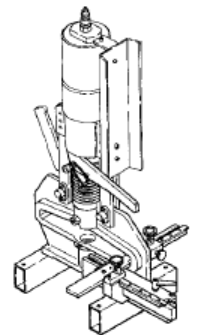
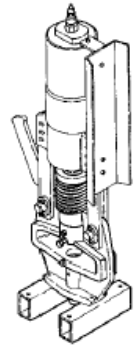
Ref.No.	Type	Description	Price/Euro
2420	HSBL-2	Work Cylinder	3.019 €
1118	HSBL-2	Punch 120	1.598 €
33517	HSBL-2	Adaptor	68 €
7050	HSBL-2	Punch 160	1.728 €
34243	HSBL-2	Punch 160 incl. X-Y Stop Device	3.390 €
7190	HSBL-2	X-Y Stop Device for Punch	1.928 €
7681	HSBL-2	Blank Template "X"-Axis	19 €
7682	HSBL-2	Blank Template "Y"-Axis	19 €
4109	HSBL-2	Bracket for Templates	198 €
4026	HSBL-2	Hole Template 40 / 80 mm	258 €
4068	HSBL-2	Hole Template 50 / 100 mm	258 €
4070	HSBL-2	Hole Template 60 / 120 mm	258 €
30139	HSBL-2	Hole Template 80 / 160 mm	298 €



All prices are recommended retail prices (RRP) without our obligation, subject to VAT, if purchased and invoiced within the Federal Republic of Germany. Delivery ex-works, packing excluded. Design, specifications and prices of all products are subject to change at any time and without notification. This price list invalidates all previous price lists.

ROUND PUNCHING DIES FOR HSBL-2 SYSTEM 1118 & 7050

Ref.No.	Type	Description	Price/Euro
200066	HSBL-2	6,6 mm	119 €
200070	HSBL-2	7,0 mm	119 €
20990021	HSBL-2	8,0 mm	119 €
200090	HSBL-2	9,0 mm	119 €
200100	HSBL-2	10,0 mm	119 €
200110	HSBL-2	11,0 mm	119 €
200120	HSBL-2	12,0 mm	119 €
200125	HSBL-2	12,5 mm	119 €
200130	HSBL-2	13,0 mm	119 €
200135	HSBL-2	13,5 mm	119 €
200140	HSBL-2	14,0 mm	119 €
200145	HSBL-2	14,5 mm	139 €
200160	HSBL-2	16,0 mm	139 €
200180	HSBL-2	18,0 mm	139 €
200210	HSBL-2	21,0 mm	139 €



PUNCHING DIES FOR HSBL-2 SYSTEM 1118 & 7050 OBLONG

Ref.No.	Type	Description	Price/Euro
20960012	HSBL-2	16 x 11 mm Oblong	412 €
20960010	HSBL-2	21 x 14 mm Oblong	412 €

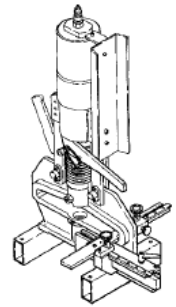
PUNCHING DIES FOR HSBL-2 SYSTEM 1118 & 7050 SQUARE

Ref.No.	Type	Description	Price/Euro
20970006	HSBL-2	8,5 x 8,5 mm Square	598 €
20970005	HSBL-2	10,5 x 10,5 mm Square	598 €
20970004	HSBL-2	12,5 x 12,5 mm Square	598 €

All prices are recommended retail prices (RRP) without our obligation, subject to VAT, if purchased and invoiced within the Federal Republic of Germany. Delivery ex-works, packing excluded. Design, specifications and prices of all products are subject to change at any time and without notification. This price list invalidates all previous price lists.

ROUND PUNCHING DIES FOR HSBL-2 SYSTEM 1118 & 7050 LAMINATED COPPER

Ref.No.	Type	Description	Price/Euro
20990013	HSBL-2	6,6 mm (inkl. stripper plate)	184 €
20990014	HSBL-2	9,0 mm (inkl. stripper plate)	184 €
20990015	HSBL-2	11,0 mm (inkl. stripper plate)	184 €
20990017	HSBL-2	14,0 mm (inkl. stripper plate)	184 €
8399	HSBL-2	Stripper plate 4 – 8 mm	54 €
8401	HSBL-2	Stripper plate 8 – 14 mm	54 €



HSBL-2 SYSTEM "DIGIPUNCH" 160

Ref.No.	Type	Description	Price/Euro
2420	HSBL-2	Work Cylinder	3.019 €
40800	HSBL-2	"DigiPunch" 160	13.380 €
40800-1	HSBL-2	"DigiPunch" 160 (incl. Length Stop for cutting tool)	14.380 €
32936	HSBL-2	HSBL – Work bench	1.380 €
16911	HSBL-2	Conveyor 400 x 2000 mm	880 €
16912	HSBL-2	Support for conveyor 400 x 2000 mm	248 €
40855	HSBL-2	Assembly kit for conveyor 400 x 2000 mm	68 €



ROUND PUNCHING DIES FOR "DIGIPUNCH" 160

Ref.No.	Type	Description	Price/Euro
800066	HSBL-2	6,6 mm	139 €
800090	HSBL-2	9,0 mm	139 €
800100	HSBL-2	10,0 mm	139 €
800110	HSBL-2	11,0 mm	139 €
800120	HSBL-2	12,0 mm	139 €
800130	HSBL-2	13,0 mm	139 €
800140	HSBL-2	14,0 mm	139 €
800160	HSBL-2	16,0 mm	169 €
800180	HSBL-2	18,0 mm	169 €
800210	HSBL-2	21,0 mm	212 €

All prices are recommended retail prices (RRP) without our obligation, subject to VAT, if purchased and invoiced within the Federal Republic of Germany. Delivery ex-works, packing excluded. Design, specifications and prices of all products are subject to change at any time and without notification. This price list invalidates all previous price lists.

PUNCHING DIES FOR "DIGIPUNCH" 160 OBLONG

Ref.No.	Type	Description	Price/Euro
80960012	HSBL-2	16 x 11 mm Oblong	428 €
80960010	HSBL-2	21 x 14 mm Oblong	428 €

PUNCHING DIES FOR "DIGIPUNCH" 160 SQUARE

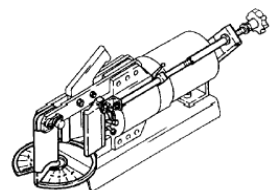
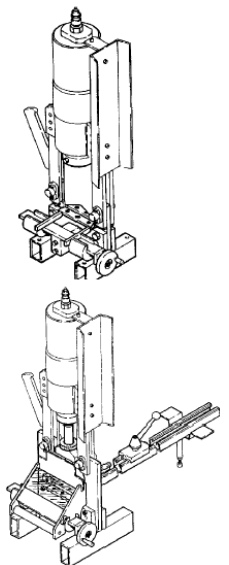
Ref.No.	Type	Description	Price/Euro
80970008	HSBL-2	9 x 9 mm Square r1	558 €
80970009	HSBL-2	11 x 11 mm Square r1,5	558 €
80970004	HSBL-2	12,5 x 12,5 mm Square	558 €
42574	HSBL-2	Stripper plate universal for DigiPunch 160	54 €

HSBL-2 SYSTEM CUTTING TOOLS

Ref.No.	Type	Description	Price/Euro
2420	HSBL-2	Work Cylinder	3.019 €
2350	HSBL-2	Cutting Tool 120	1.628 €
6950	HSBL-2	Centering Vice for Cutting Tool 120, right	598 €
33402	HSBL-2	Centering Vice for Cutting Tool 120, left	598 €
34244	HSBL-2	Cutting Tool 120 incl. Centering Vice right & left	2.780 €
7020	HSBL-2	Cutting Tool 160	2.740 €
7030	HSBL-2	Centering Vice zu Cutting Tool 160, rechts	648 €
33401	HSBL-2	Centering Vice zu Cutting Tool 160, links	648 €
34245	HSBL-2	Cutting Tool 160 incl. Centering Vice right & left	3.880 €
6990	HSBL-2	Length Stop for Cutting Tools 120 & 160	768 €

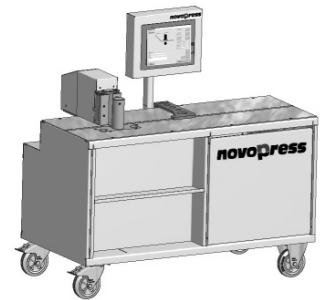
HSBL-2 SYSTEM BENDING TOOL 120

Ref.No.	Type	Description	Price/Euro
1179	HSBL-2	Bending Tool 120 incl. Angle Indicator	980 €
1627	HSBL-2	Hydr. Stop Device for 1179	688 €



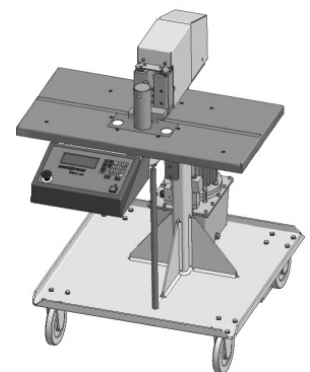
BGD DIGITAL BENDING BENCHES 160

Ref.No.	Type	Description	Price/Euro
42380	BGD-5eco	Digital Bending Bench 160 (3~380-420V/50Hz 0,75KW)	19.980 €
41800	BGD-5	Digital Bending Machine 160 (3~380-420V/50Hz 1,2KW)	43.680 €



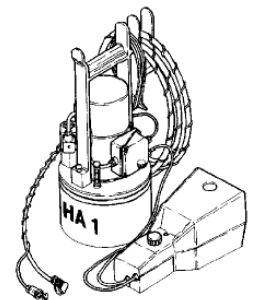
ACCESSORIES BENDING BENCHES 160

Ref.No.	Type	Description	Price/Euro
31671	BG	Small Step Bender	1.690 €
31188	BG	Large Step Bender	1.690 €
31221	BG	Edge Bending Tool	1.690 €
31850	BG	Supplementary Bender for short legs, incl. Radius R 5	1.690 €
43255	BGD-5eco	Support arm for BGD-5eco	398 €
43865	BGD-5	Software package NovoBend 1.0	1.880 €



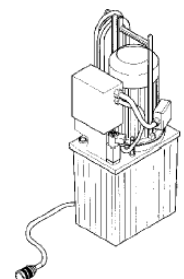
HYDRAULIC POWER PACKS

Ref.No.	Type	Description	Price/Euro
31070	HA 1-ES	Standard Power Pack 150 bar/2.200psi (1~220-240V/50Hz 0,8KW)	3.190 €
32530	HA 3	Heavy Duty Power Pack 150 bar/2.200psi (1~220-240V/50Hz 0,75KW)	3.490 €
33340	HA 3	Heavy Duty Power Pack 150 bar/2.200psi (1~220-240V/50Hz 0,75KW) incl. 24V controls	3.690 €
42780	HA 4	High perf. Power Pack 150 bar/2.200psi (3~380-420V/50Hz 1,5KW)	5.380 €
40123	HA 11	Standard Power Pack 700 bar/10.000psi (1~220-240V/50Hz 0,8KW)	3.380 €



ACCESSORIES POWER PACKS

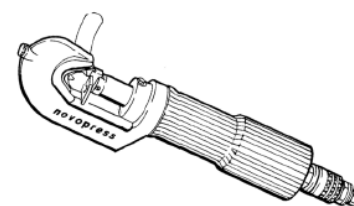
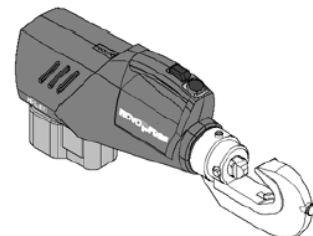
Ref.No.	Type	Description	Price/Euro
3240	MV 3	Multiway Valve MV3	548 €
1405	HA	Hydraulic hose 2,5 m with coupling	183 €
1606	HA	Hydraulic hose extension 2,5 m with plug and coupling	197 €
1406	HA	Hydraulic hose 1,5 m with coupling	136 €
1767	HA	Hydraulic Oil (5 ltr. plastic can)	98 €



All prices are recommended retail prices (RRP) without our obligation, subject to VAT, if purchased and invoiced within the Federal Republic of Germany. Delivery ex-works, packing excluded. Design, specifications and prices of all products are subject to change at any time and without notification. This price list invalidates all previous price lists.

DIELESS CRIMPING TOOLS

Ref.No.	Type	Description	Price/Euro
3000	HP 95	"Dieless" Crimping Head 10 - 95 mm ²	1.598 €
1000	HP 300	"Dieless" Crimping Head 50 - 300 mm ²	1.898 €
38500	HPA 400	"Dieless" Crimping Head 16 - 400 mm ² Battery operated, incl. spare-battery and quick charger	3.080 €
5200	HPM 400	"Dieless" Crimping Head 16 - 400 mm ² selfcontained	2.088 €
5000	HPH 400	"Dieless" Crimping Head 16 - 400 mm ² (700bar / 10.000psi)	1.482 €
41525	HPH 400-11	"Dieless" Crimping Head 16 - 400 mm ² (700bar / 10.000psi for HA11)	1.780 €
4103	HP 95	Al test bar for HP 95	23 €
4104	HP 300	Al test bar for HP 300	23 €
6468	HPM 400	Al test bar for HPA / HPH / HPM 400	23 €



ACCESSORIES HP 300

Ref.No.	Type	Description	Price/Euro
1008	HP 300	Upper die for Cu + Al	119 €
1009	HP 300	Lower die for Cu	119 €
1018	HP 300	Lower die for Al 35 / 50	102 €
1015	HP 300	Lower die for Al 70 / 240	148 €

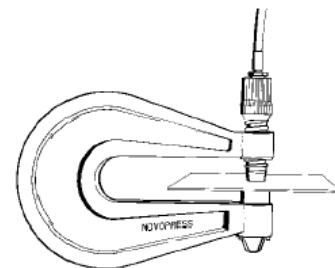
HEXAGONAL DIE INSERTS DIN 48083 FOR HP 300 & HPM/HPA/HPH 400

Ref.No.	Type	Description	Price/Euro
61100012	HP300&HPM/A/H400	Cu 35 mm ² and Al 25 mm ²	238 €
61100014	HP300&HPM/A/H400	Cu 50 mm ² and Al 35 mm ²	238 €
61100016	HP300&HPM/A/H400	Cu 70 mm ² and Al 50 mm ²	238 €
61100018	HP300&HPM/A/H400	Cu 95 mm ² and Al 70 mm ²	238 €
61100020	HP300&HPM/A/H400	Cu 120 mm ²	238 €
61100022	HP300&HPM/A/H400	Cu 150 mm ² , Al 95/120 mm ²	238 €
61100025	HP300&HPM/A/H400	Cu 185 mm ² and Al 150 mm ²	238 €
61100028	HP300&HPM/A/H400	Cu 240 mm ² and Al 185 mm ²	238 €
30119	HP300&HPM/A/H400	Compl. Set 8 hexagonal dies as listed above	1.880 €

All prices are recommended retail prices (RRP) without our obligation, subject to VAT, if purchased and invoiced within the Federal Republic of Germany. Delivery ex-works, packing excluded. Design, specifications and prices of all products are subject to change at any time and without notification. This price list invalidates all previous price lists.

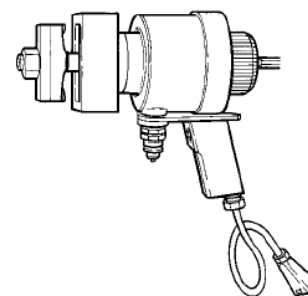
HVL PUNCHING DIES

Ref.No.	Type	Description	Price/Euro
100165	HVL	16,5 mm	198 €
100205	HVL	20,5 mm	198 €
100225	HVL	22,5 mm	198 €
100255	HVL	25,5 mm	198 €



HL PUNCHING DIES

Ref.No.	Type	Description	Price/Euro
400160	HL	16,0 mm	238 €
400165	HL	16,5 mm	238 €
400205	HL	20,5 mm	238 €
400225	HL	22,5 mm	238 €
400245	HL	24,5 mm	238 €
400255	HL	25,5 mm	238 €
400260	HL	26,0 mm	238 €
400305	HL	30,5 mm	338 €
400325	HL	32,5 mm	338 €
400405	HL	40,5 mm	338 €
400505	HL	50,5 mm	428 €



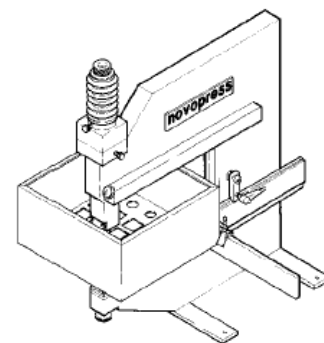
HL Accessories

Ref.No.	Type	Description	Price/Euro
1070	HL	Tension bolt 12 mm	166 €
8104	HL	Tension bolt 24 mm, short	228 €

All prices are recommended retail prices (RRP) without our obligation, subject to VAT, if purchased and invoiced within the Federal Republic of Germany. Delivery ex-works, packing excluded. Design, specifications and prices of all products are subject to change at any time and without notification. This price list invalidates all previous price lists.

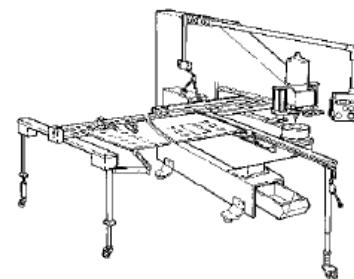
HTL PUNCHING DIES

Ref.No.	Type	Description	Price/Euro
600125	HTL	12,5 mm	328 €
600165	HTL	16,5 mm	328 €
600186	HTL	18,6 mm	328 €
600205	HTL	20,5 mm	328 €
600225	HTL	22,5 mm	328 €
600255	HTL	25,5 mm	328 €
600325	HTL	32,5 mm	368 €
600405	HTL	40,5 mm	368 €



HSTL 880 PUNCHING DIES

Ref.No.	Type	Description	Price/Euro
500205	HSTL	20,5 mm	515 €
500225	HSTL	22,5 mm	515 €
500255	HSTL	25,5 mm	515 €
500325	HSTL	32,5 mm	578 €
500405	HSTL	40,5 mm	688 €
500505	HSTL	50,5 mm	738 €
500635	HSTL	63,5 mm	808 €



HSTL 880 PROFILE PUNCHING DIES

Ref.No.	Type	Description	Price/Euro
50004646	HSTL	46 x 46 mm	1.428 €
50006868	HSTL	68 x 68 mm	1.758 €
50009292	HSTL	92 x 92 mm	1.988 €

All prices are recommended retail prices (RRP) without our obligation, subject to VAT, if purchased and invoiced within the Federal Republic of Germany. Delivery ex-works, packing excluded. Design, specifications and prices of all products are subject to change at any time and without notification. This price list invalidates all previous price lists.